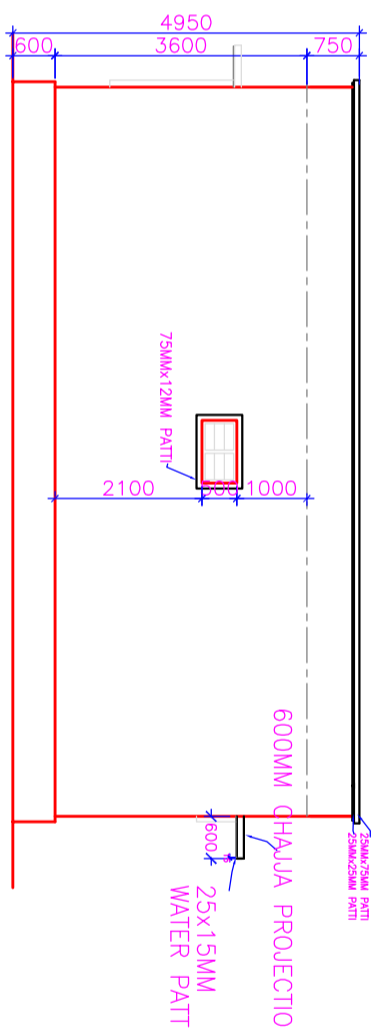
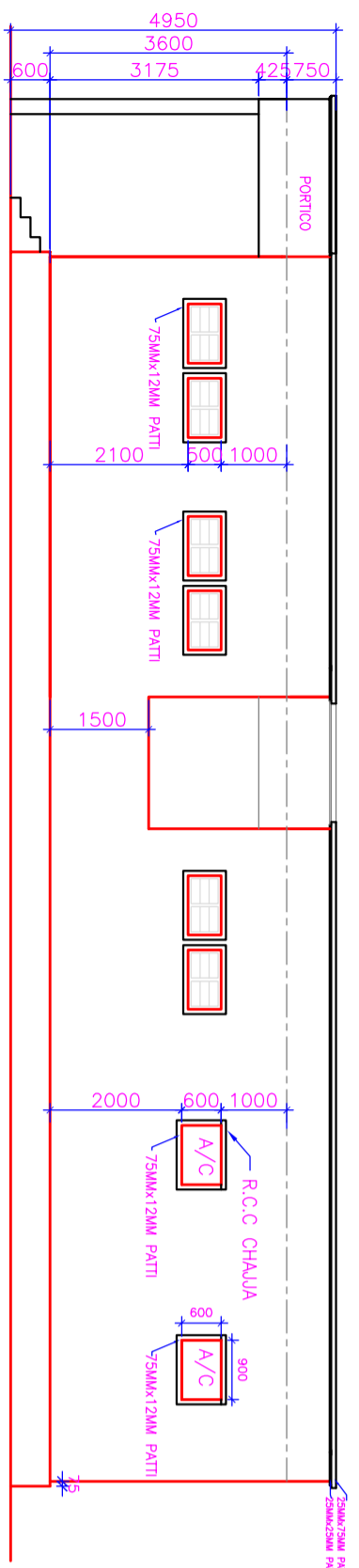


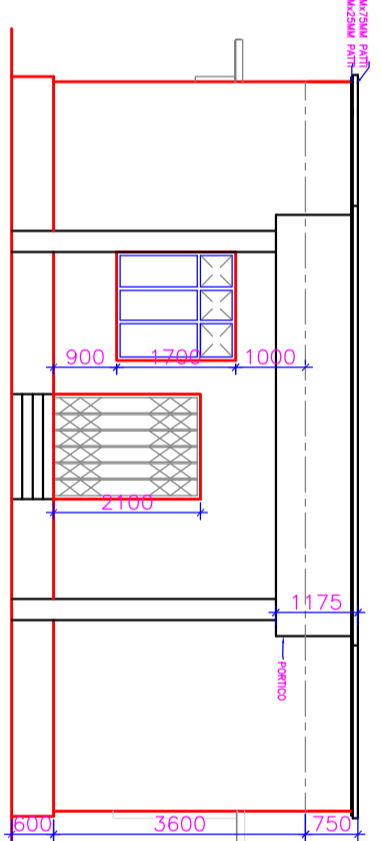
SOUTH-WEST SIDE ELEVATION



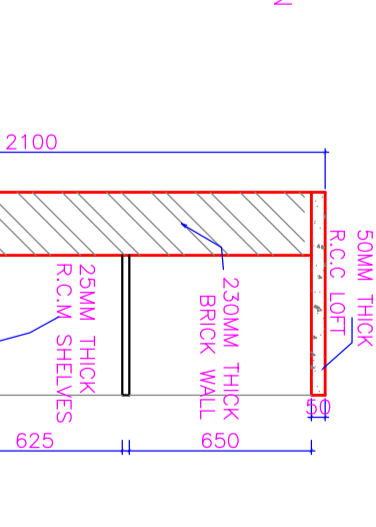
NORTH-WEST SIDE ELEVATION



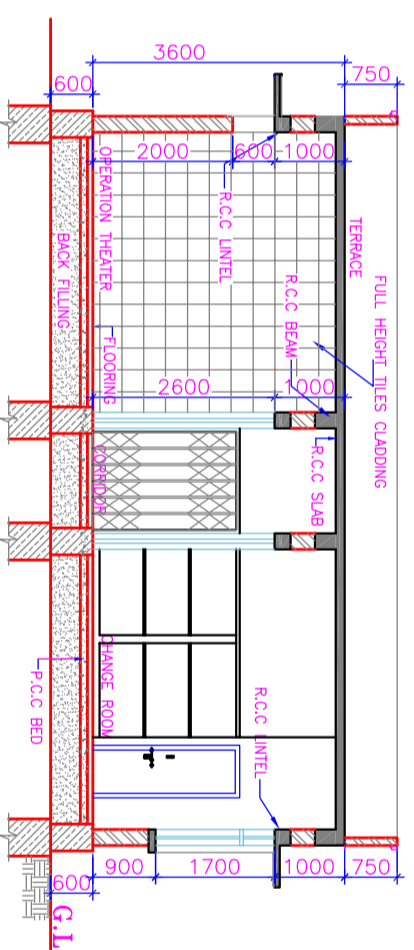
NORTH-EAST SIDE ELEVATION



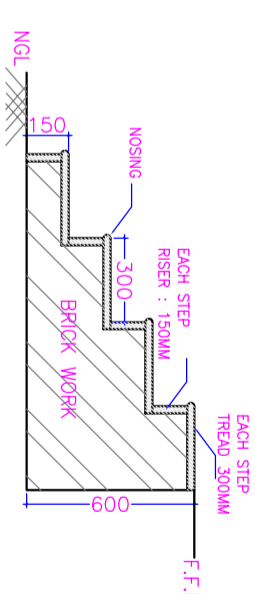
SOUTH-EAST SIDE ELEVATION



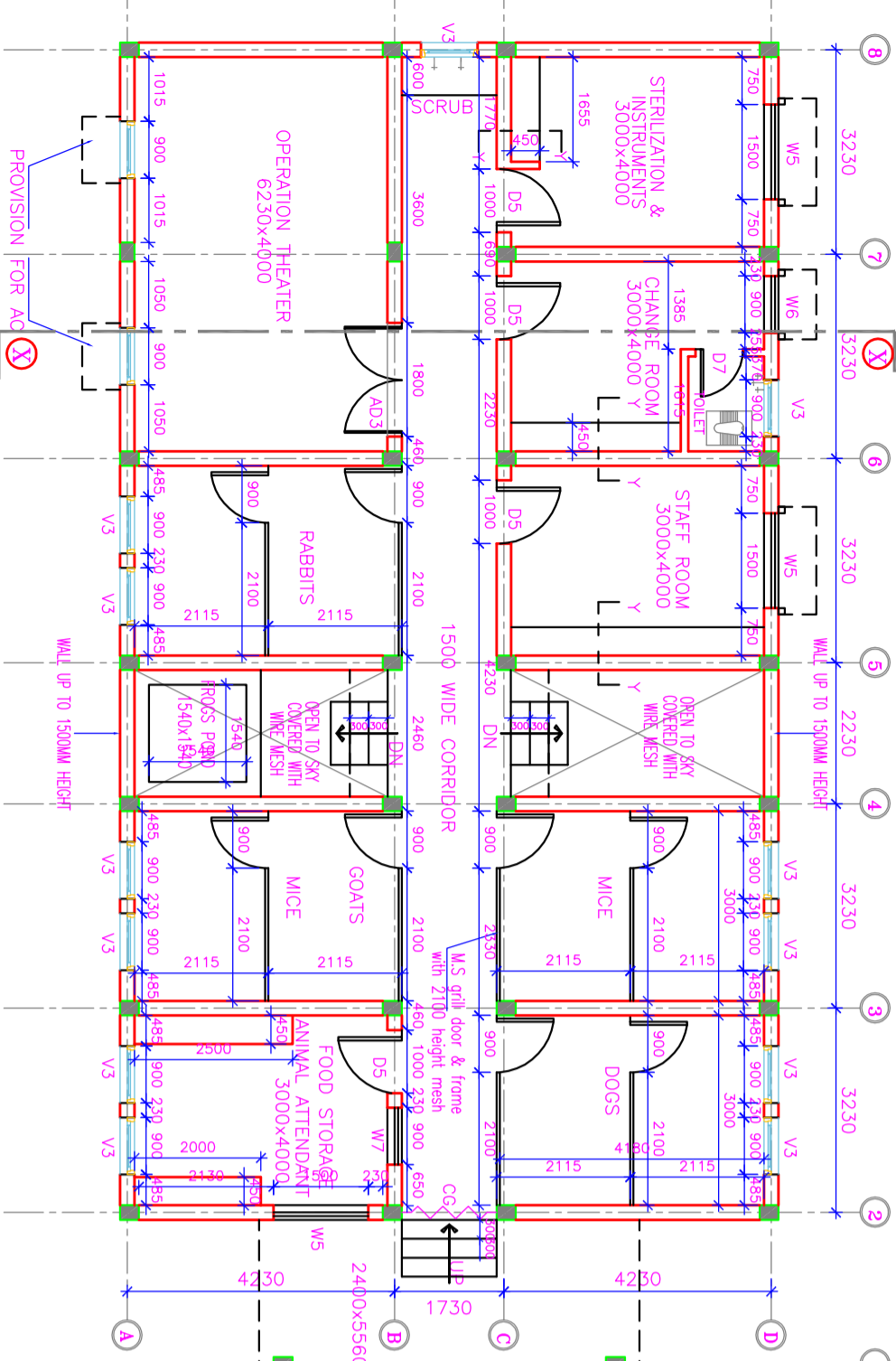
SECTION "Y - Y"



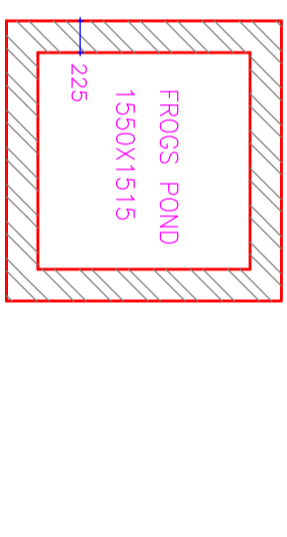
SECTION AT "X-X"



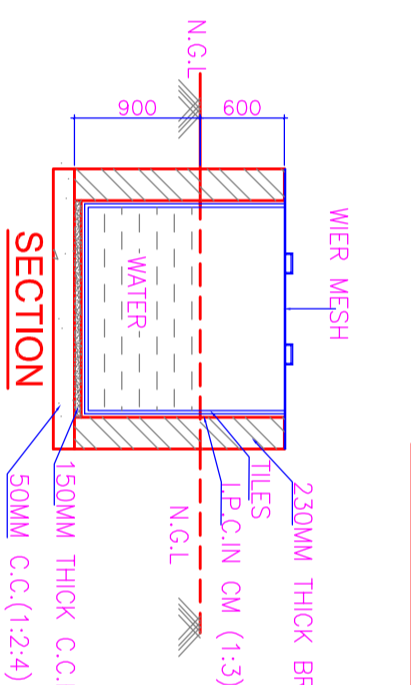
TYPICAL DETAIL OF STEPS



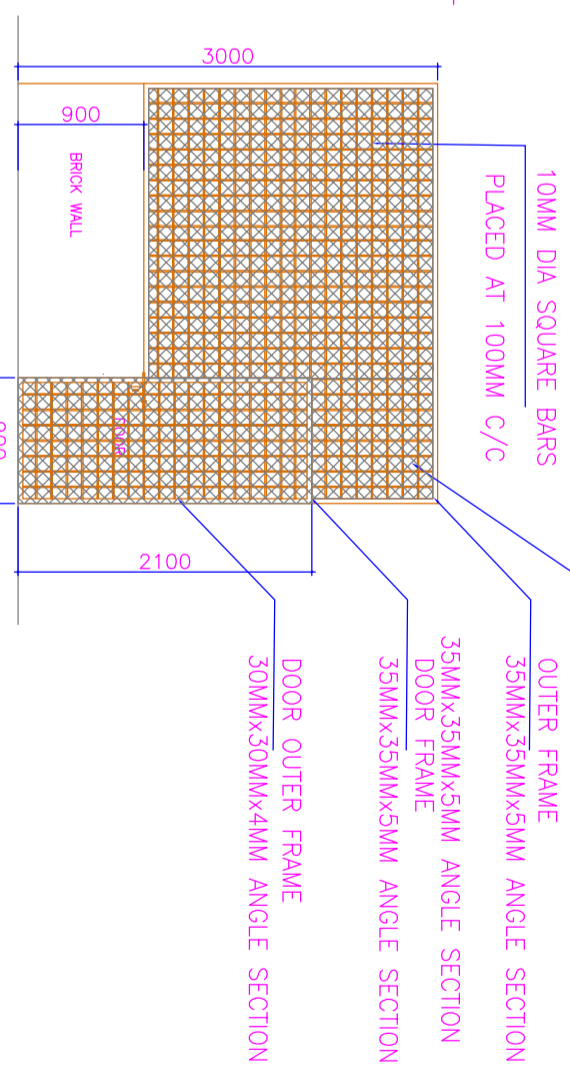
PLAN



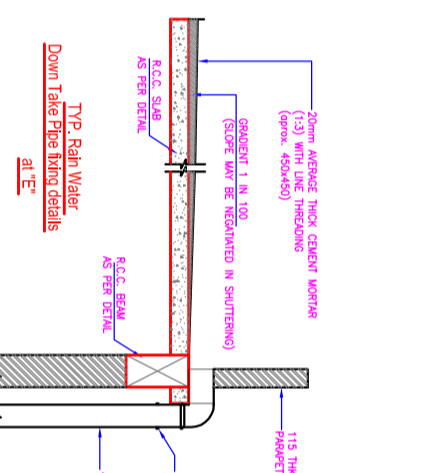
PLAN



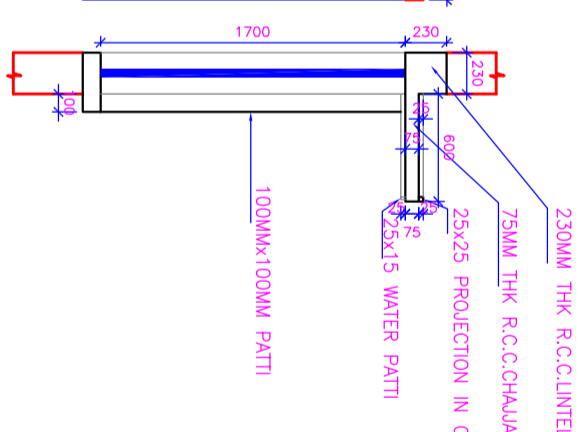
M.S. GRILL



PLAN



TYPICAL WINDOW DETAILS



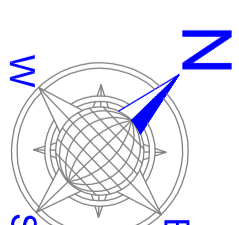
TYPICAL PATTI DETAIL

COPY RIGHT OF THIS DRAWING BELONGS TO M/S. S.S. CONSULTANTS AND SHOULD NOT BE USED FOR ANY PURPOSE OTHER THAN SPECIFIED WITHOUT PRIOR PERMISSION.

NOTES

1. ALL DIMENSIONS ARE IN METRES AND MILLIMETRES, UNLESS OTHERWISE MENTIONED IN THE DRAWING.
2. CORRELATE WITH THE RELEVANT DRAWINGS FOR THE NECESSARY DETAILS.
3. ANY DISCREPANCY SHALL BE BROUGHT TO THE NOTICE OF CONSULTANTS.

NORTH



JOINERY SCHEDULE

ITEM	TYPE	SIZE	NOS
G.L. PRESSED DOORS	A03	1800x2600	1
WOODEN DOORS	D5	1000x2600	4
WOODEN DOORS	D7	750x2100	1
PRE PAINTED WINDOWS	W5	1500x1700	3
PRE PAINTED WINDOWS	W6	1200x1700	1
VENTILATORS	V3	900x500	12
COLLAPSIBLE GATE	CG	1500x2100	1

FLOORING IN EACH ROOM

ROOMS	FLOORING
OPERATION THEATER	ALL ROOMS AND TOILET
STEPS AND CORRIDOR	HEIGHT OF DADOING :
OPERATION THEATER :	

AREAS

ANIMAL HOUSE AREA	177.00 Sq.M
-------------------	-------------

ARCHITECTURAL WORKING DRAWING

Project : **RAJIV GANDHI INSTITUTE OF MEDICAL SCIENCES (RIMS) AT ADILABAD, T.S.**

Title : **ANIMAL HOUSE BUILDING PLAN,ELEVATIONS & SECTIONS**

Client : **TELANGANA MEDICAL SERVICES INFRASTRUCTURE DEVELOPMENT CORPORATION (An Enterprise of Government of Telangana) DM & HS CAMPUS SULTAN BAZAR KOTI, HYDERABAD.**

S.S. CONSULTANTS

PROJECT CONSULTANTS
#17&9, JABBAR BUILDINGS,
BEGLUMPET, HYDERABAD-16
PH: 66310240, 66310954
FAX: NO. 040-66312949
email: ssecos17and9@rediffmail.com
email: ssecos17and9@rediffmail.com

DATE	SCALE	DESIGNED BY	DESIGNED BY
23-11-2007	1/75	RATNAKREDDY	CHD/DR

DRG-NO:-SS/7MS/SC/ADILABAD/ARCHITECTURAL DRAWINGS/ANIMAL HOUSE-140